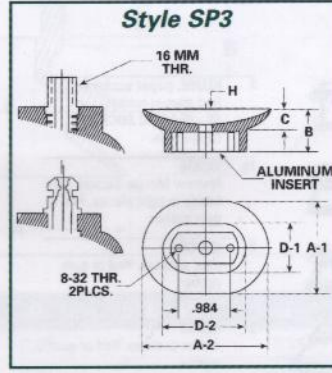
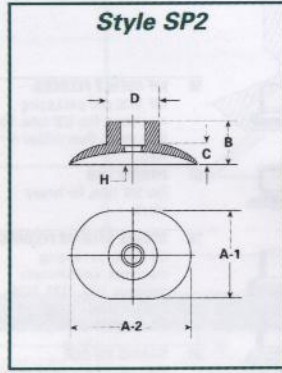
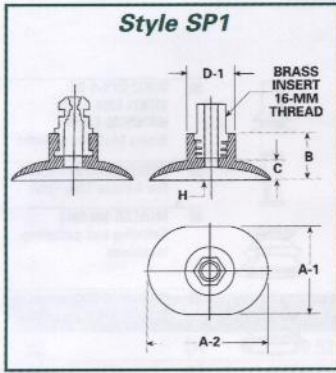


Soap Cups



Styles SP1, SP2, SP3



Style SP1

VC No.	A-1	A-2*	B	C	D	H	NOTE
47-14	2.46	1.51	1.12	0.41	1.00	0.21	OVAL
47T	1.91	3.32	1.23	0.67	0.75	0.73	OVAL
47-31	1.87	3.12	1.20	0.70	1.01	0.35	SQUARE
47Y	1.87	2.81	1.09	0.51	1.01	0.26	OVAL
47Y1	1.73	2.78	1.06	0.43	1.00	0.37	OVAL
#2	1.70	2.50	0.91	0.54	0.75	0.37	OVAL
DD2	1.68	2.71	1.15	0.75	1.29	0.37	SQUARE
47PG1	1.53		0.75	0.35	1.50	0.56	ROUND
47Y2	0.93	1.75	1.14	0.15	0.95	0.07	OVAL

Style SP2

VC No.	A-1	A-2*	B	C	D	E	E1	H	NOTE
47N	2.65		1.45	0.71	0.87	0.39	0.59	0.43	ROUND
47I	2.29	3.31	1.78	0.67	0.75	0.18		0.39	OVAL
47AV1	2.18		1.03	0.61	0.75	0.18		0.34	ROUND
47PG	2.01		1.00	0.34	1.98	0.25		0.62	ROUND
47B	1.95		1.04	0.65	0.71	0.23		0.57	ROUND
#1A	1.93	2.81	0.89	0.54	0.73	0.14		0.37	OVAL
47N1	1.91		1.12	0.62	0.85	0.35	0.56	0.37	ROUND
47S	1.73	2.41	1.25	0.73	0.84	0.39	0.56	0.43	SQUARE
47L	1.58		1.21	0.70	0.73	0.25	0.67	0.14	ROUND
47H	1.29	2.29	0.87	0.48	0.71	0.25		0.29	OVAL
47	0.92		0.85	0.37	0.75	0.25		0.31	ROUND
#1	0.92	2.85	0.87	0.62	1.23	0.21		0.43	OVAL

Style SP3

VC No.	A-1	A-2*	B	C	D-1	D-2	H	NOTE
47C	2.12	2.79	0.89	0.46	1.09	1.76	0.31	SQUARE
47E	2.12	3.26	0.87	0.65	1.06	1.64	0.31	SQUARE
47W	2.07	3.06	0.96	0.50	0.85	1.57	0.41	OVAL
47-01	2.01	2.68	0.89	0.37	0.87	1.54	0.29	OVAL
47U	2.00		1.14	0.84	0.89	1.54	0.62	ROUND
47SG	1.98	3.37	1.11	0.57	0.61	1.00	0.50	SQUARE
47-0	1.95	2.65	0.92	0.57	1.59	1.00	0.35	OVAL
47-03	1.92	3.09	0.82	0.41	0.85	1.54	0.25	OVAL
47F	1.88	2.50	0.88	0.44	1.00	1.63	0.31	OVAL
47-02	1.87	2.73	0.91	0.41	0.87	1.56	2.81	SQUARE
47-04	1.82	3.03	0.85	0.31	0.89	1.56	0.26	SQUARE
47F1	1.70	2.42	0.84	0.35	0.87	1.54	0.44	SQUARE
47Z1	1.70	2.70	0.88	0.59	0.87	1.78	0.37	ELLIPSE
47F2	1.68	2.42	0.85	0.34	0.87	2.43	0.25	SQUARE
47Y3	1.54	2.50	0.82	0.34	0.79	1.48	0.18	OVAL
#10A	1.53	2.12	0.81	0.26	0.91	1.45	0.21	OVAL
55AU	1.48	2.37	0.92	0.46	0.96	1.15	0.31	SQUARE
47Z2	1.39	2.53	0.81	0.33	0.79	1.49	0.29	ELLIPSE
#10	1.21	2.04	0.85	0.31	0.93	1.48	0.25	OVAL

* Denotes oval cup

